

MAINTENANCE

■ Built-in installation

Appendix

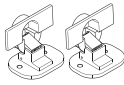
Self-tapping screws (ST4*12)



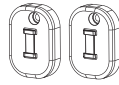
Self-tapping screws (M5*12)



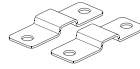
Hinges



Counter magnet



Spacer



Fixed position paper



Tool

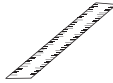
Screw driver



Automatic driver



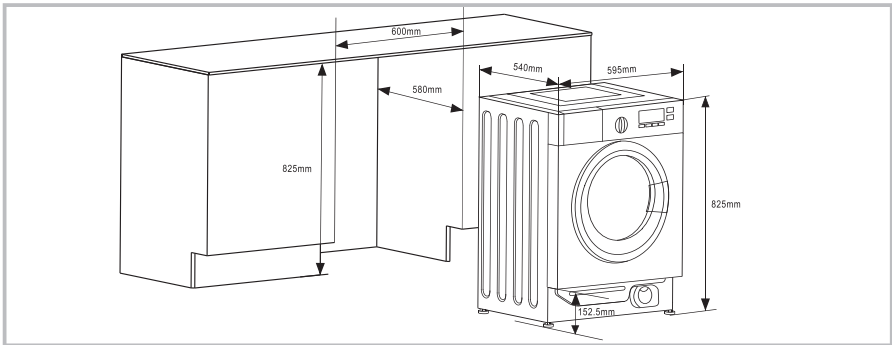
Ruler



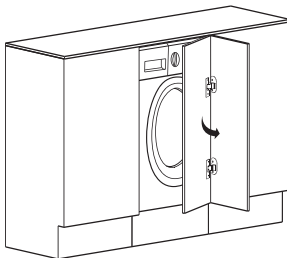
Pencil



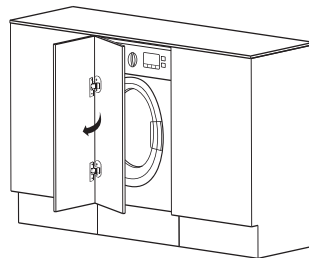
Install Steps



Overview



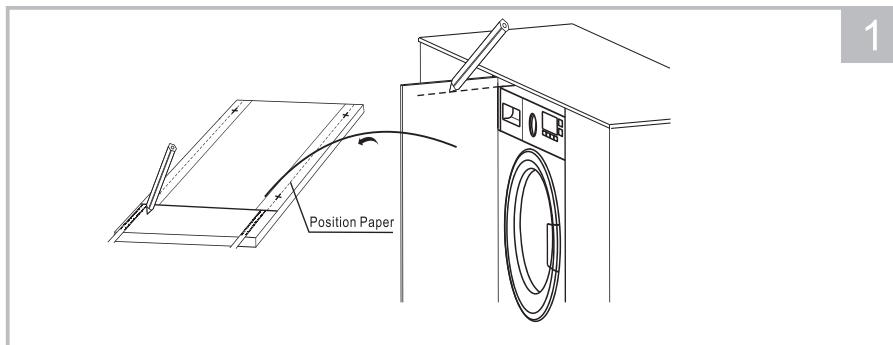
The door is open from left to right



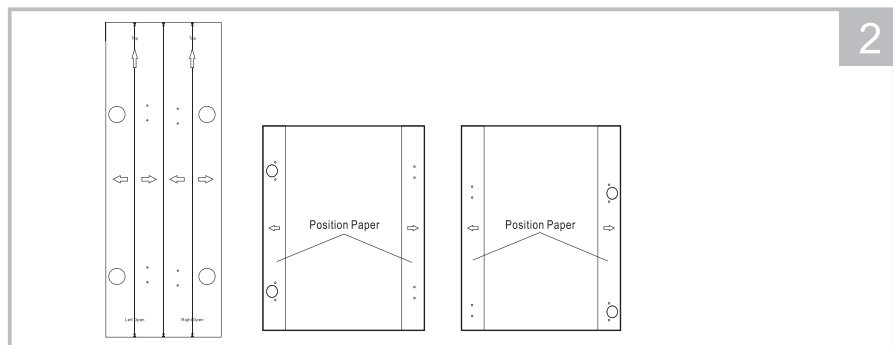
The door is open from right to left

Preparation and assembly of the door

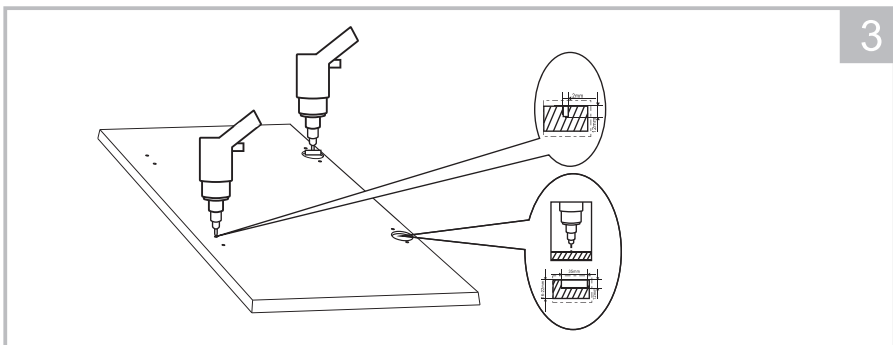
MAINTENANCE



Make the mark on the door

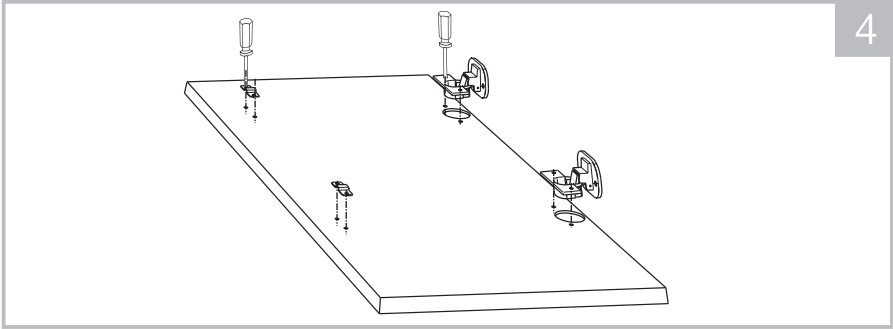


Fixed position paper on the door.



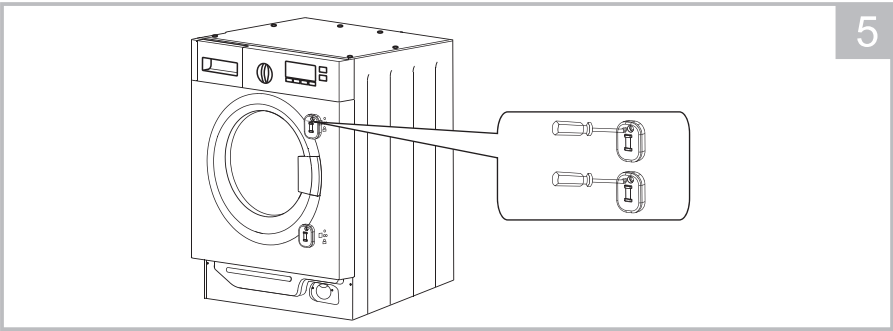
Drill hole on the door

MAINTENANCE



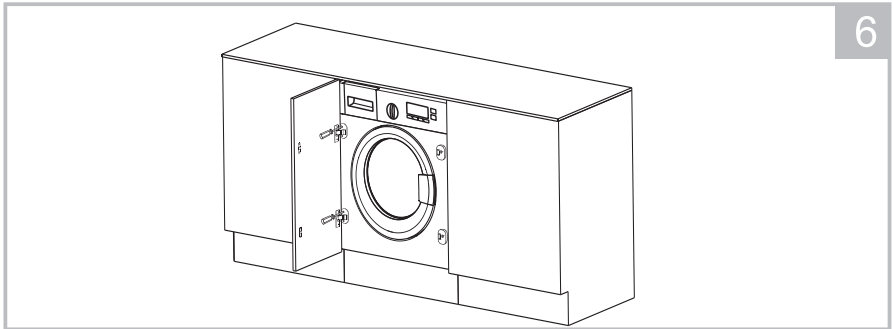
4

Installation the hinges and spacer



5

Installation the counter magnet



6

Installation the door

Warning!

- When installing the appliance into the kitchen ensure furniture, if possible, the hoses are placed in either of the two recesses on the back of the appliance. This will help to prevent the hoses from becoming kinked or trapped.