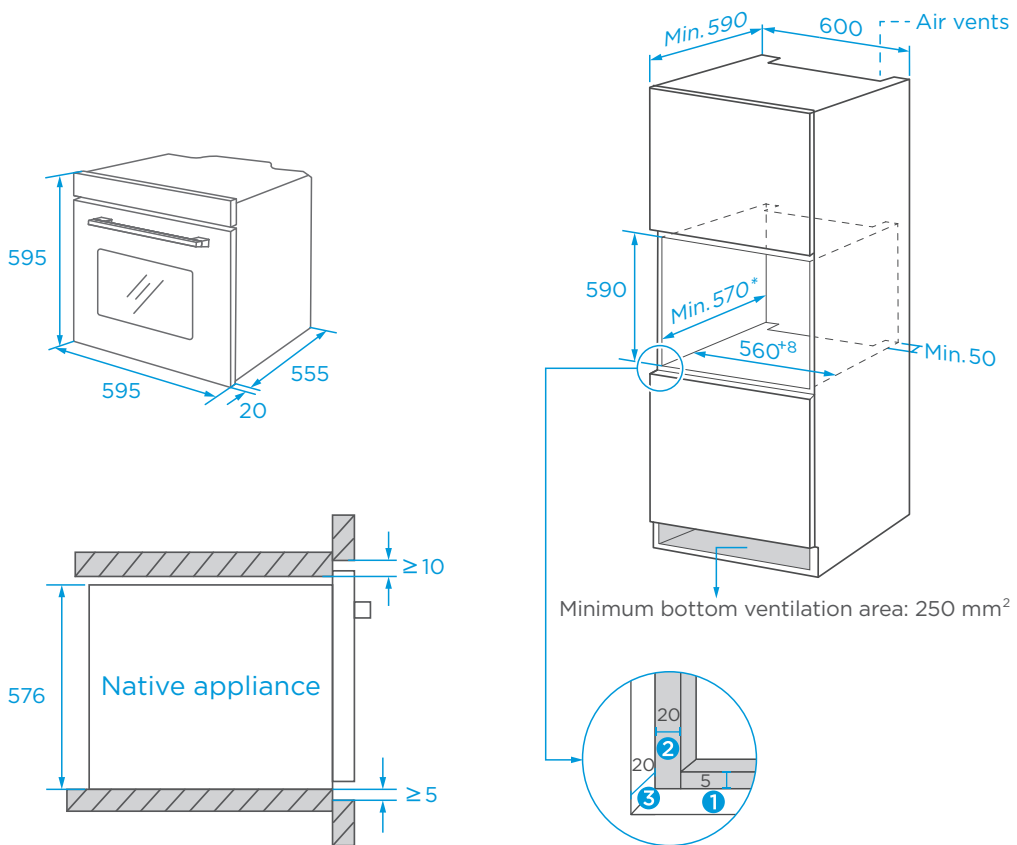


INSTALLATION

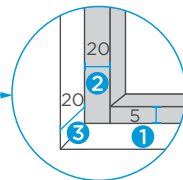
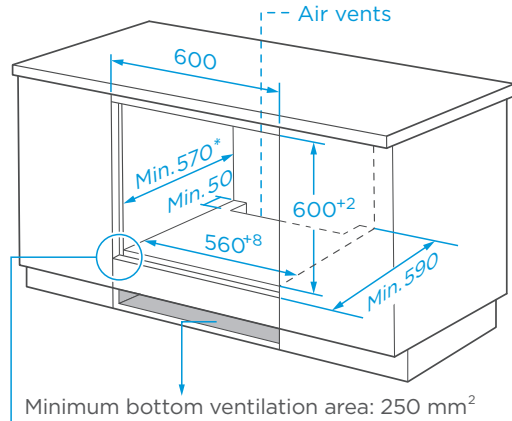
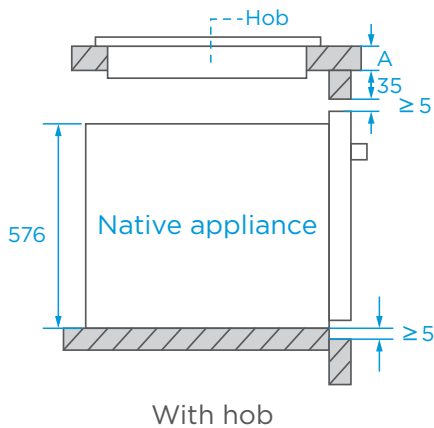
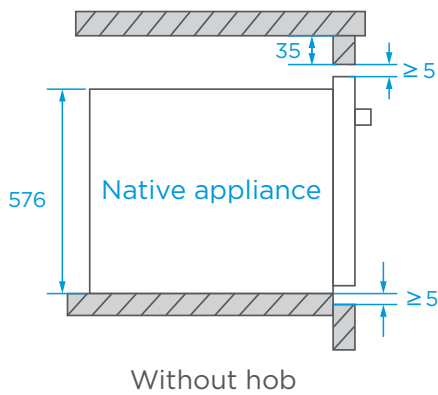
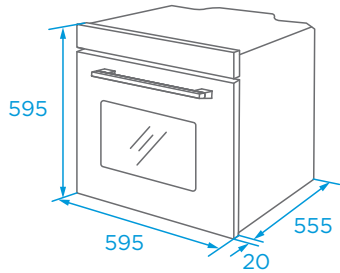
1. As the appliance is constantly upgrading, the actual appliance shall prevail if the picture is different from the actual appliance.
2. The thickness of the cabinet board is 20 mm.
3. If the power socket is installed on the back of the appliance, the depth of the cabinet opening shall be increased from a minimum of 590 mm to 620 mm.
4. The dimensions in the figures are in mm.

Cabinet Diagram (Standing Cabinet)



- ① Reserve 5 mm for the door panel at the top and bottom respectively.
- ② Reserve 20 mm for the door panel on the left and right respectively.
- ③ Reserve 20 mm for the door panel in thickness.

Cabinet Diagram (Ground Cabinet)



- ❶ Reserve 5 mm for the door panel at the top and bottom respectively.
- ❷ Reserve 20 mm for the door panel on the left and right respectively.
- ❸ Reserve 20 mm for the door panel in thickness.

If the appliance is installed under the hob, the minimum thickness of worktop A is shown below:

Hob type	worktop A
Induction hob	37 mm
Full-surface induction hob	47 mm
Gas hob	30 mm
Electric hob	27 mm